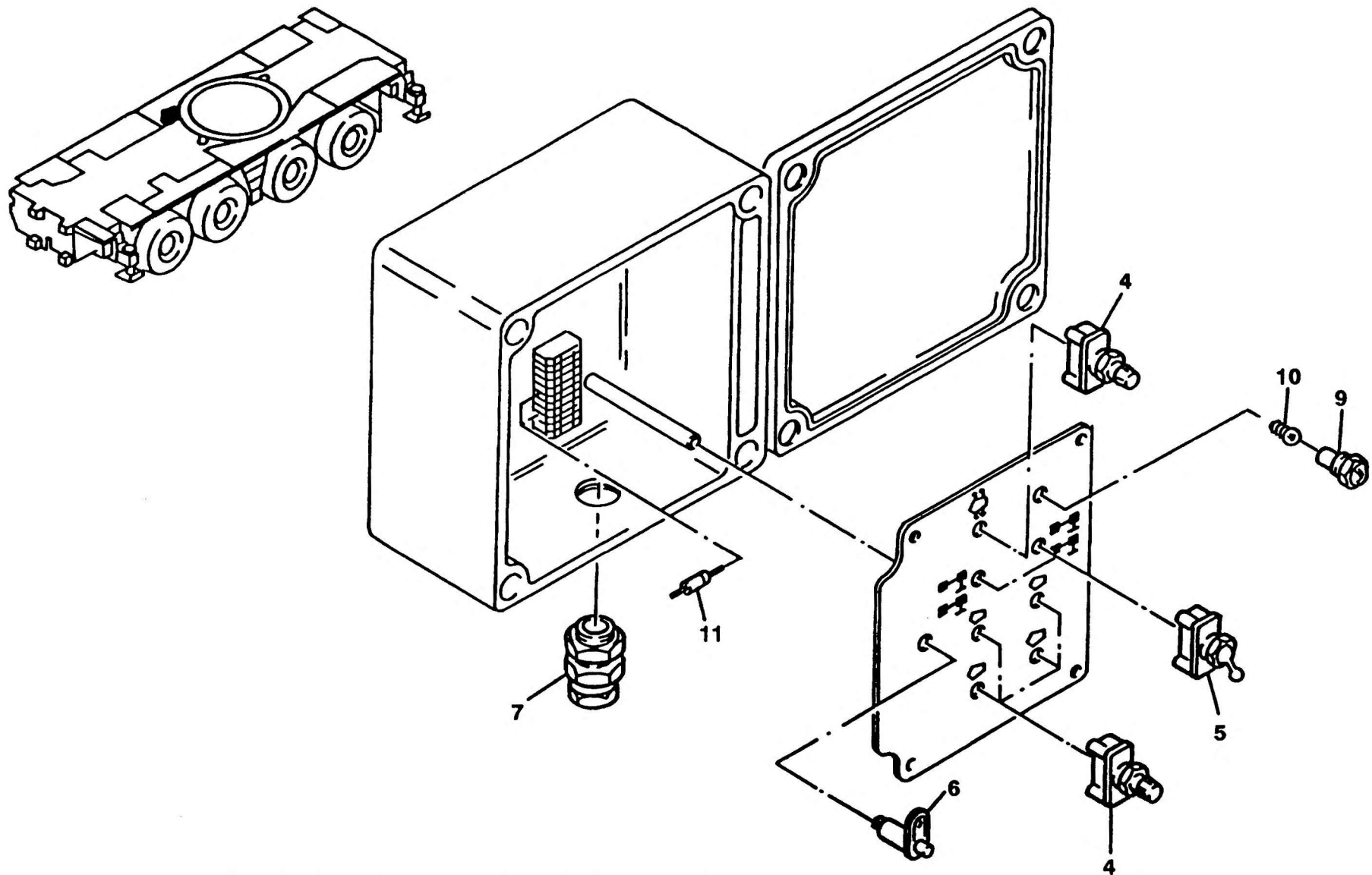




ELEKTROTEILE TASTEREINHEIT  
ELECTRICAL PARTS FOR PUSH BUTTON UNIT

|                                |             |     |                             |
|--------------------------------|-------------|-----|-----------------------------|
| BILDТАFEL<br>PICTORIAL DISPLAY |             |     | KMK 6160<br>BE 540<br>G 801 |
| 04.91                          | 2223167-ETL | 1/1 |                             |



A05\_035